



## Din Rail Mounted DC Isolators Disconnect Switch For Solar Pv

ADELS® is a leading China Din Rail Mounted DC Isolators Disconnect Switch For Solar Pv manufacturers.

- IP20 Protection Level
- Din rail mounting
- The handle can be locked in the “OFF” position
- 2 Pole, 4 Poles are available (Single/Double String)
- Standard: IEC60947-3, AS60947.3

- DC-PV2, DC-PV1, DC-21B
- 16A, 25A, 32A, 1200V DC

ADELS® is a professional China Din Rail Mounted DC Isolators Disconnect Switch For Solar Pv manufacturers and suppliers, if you are looking for the best Din Rail Mounted DC Isolators Disconnect Switch For Solar Pv with low price, consult us now!

## Din Rail Mounted DC Isolators Disconnect Switch For Solar Pv

## Din Rail Mounted DC Isolators Disconnect Switch For Solar Pv Application

ADELS L2 Series DC Isolator Switch is applied to 1-20 KW residential or commercial photovoltaic system, placed between photovoltage modules and inverters. Arcing time is less than 8ms, that keeps solar system more safe. To ensure its stability and long service life, our products are made by components with optimum quality. Max voltage is up to 1200V DC. It holds a safe lead among similar products.

L2 Series DC Isolator switches

## Din Rail Mounted DC Isolators Disconnect Switch For Solar Pv Parameter

Electrical Characteristics	
Dpe	FMPV16-L2rFMPV25-L2, FMPV32-L2
Function	Isolator, Control
Standard	IEC60947-3. AS60947. 3
Utilization category	DC-PV2/DC-PV1/DC-21B
Pole	4P

### Wenzhou Feimai Electric Co., Ltd.

**Address:**No.75 Xinguang Avenue, Xinguang Industrial Zone, Liushi, Yueqing City, Zhejiang Province, P.R.China.

**Phone:**+86-13968753197

**Fax:**+86-577-62797770

**Tel:**+86-577-62797750

**E-mail:**sale@adels-solar.com

Rated frequency	DC
Rated operational voltage (Ue)	300V, 600V, 800V, 1000V, 1200V
Rated operational voltage (Ie)	See the next page
Rated insulation voltage (Ui)	1200V
Conventional free air thermal current (Ithe)	//
Conventional enclosed thermal current (Ithe)	Same as Ie
Rated short-time withstand current (Icw)	1kA. 1s
Rated impulsive withstand voltage (Uimp)	8.0kV
Overvoltage category	II
Suitability for isolation	Yes
Polarity	No polarity, " + " and " - " polarities could be interchanged
Service life/cycle operation	
Mechanical	18000
Electrical	2000
Installation Environment	
Ingress protection Switch Body	IP20
Storage temperature	-40° C ~ +85° C
Mounting Type	Vertically or horizontally
Pollution degree	3

### Rated Voltage / Rated Current

Wiring	Type	300V	600V	800V	1000V	1200V
2P/4P	FMPV16 series	16A	16A	12A	8A	6A
	FMPV25 series	25A	25A	15A	9A	7A
	FMPV32 series	32A	27A	17A	10A	8A
4T/4B/4S	FMPV16 series	16A	16A	16A	16A	16A
	FMPV25 series	25A	25A	25A	25A	25A
	FMPV32 series	32A	32A	32A	32A	32A
2H	FMPV16 series	35A	35A	/	/	/
	FMPV25 series	40A	40A	/	/	/
	FMPV32 series	45A	40A	/	/	/

#### Wenzhou Feimai Electric Co., Ltd.

**Address:** No.75 Xinguang Avenue, Xinguang Industrial Zone, Liushi, Yueqing City, Zhejiang Province, P.R.China.

**Phone:** +86-13968753197

**Fax:** +86-577-62797770

**Tel:** +86-577-62797750

**E-mail:** sale@adels-solar.com

## Switching Configurations

Type	2-pole	4-pole	2-pole 4-pole in series Input and Output bottom	2-pole 4-pole in series Input and Output on top	2-pole 4-pole in series Input on top Output bottom	2-pole 4 parall eted Poles
/	2P	4P	4T	4B	4S	2H
Contac ts Wiring graph						
Switch ing exaple						

## Dimensions(mm)

### Wenzhou Feimai Electric Co., Ltd.

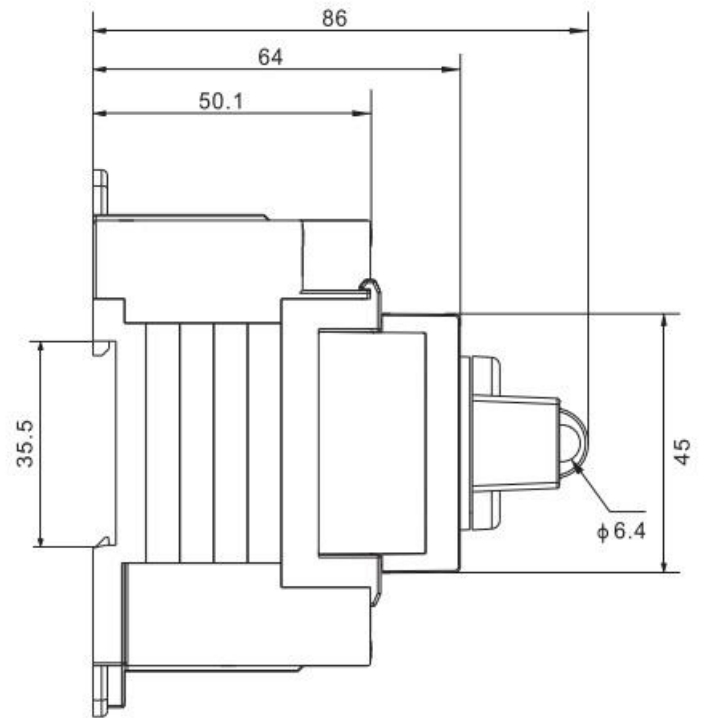
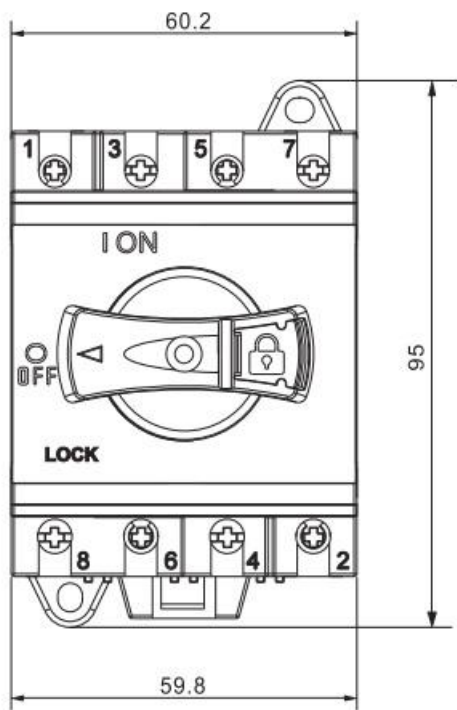
**Address:**No.75 Xinguang Avenue, Xinguang Industrial Zone, Liushi, Yueqing City, Zhejiang Province, P.R.China.

**Phone:**+86-13968753197

**Fax:**+86-577-62797770

**Tel:**+86-577-62797750

**E-mail:**sale@adels-solar.com



**Wenzhou Feimai Electric Co., Ltd.**

**Address:**No.75 Xinguang Avenue, Xinguang Industrial Zone, Liushi, Yueqing City, Zhejiang Province, P.R.China.

**Phone:**+86-13968753197

**Fax:**+86-577-62797770

**Tel:**+86-577-62797750

**E-mail:**sale@adels-solar.com